

NewTom VGi

Cone Beam 3D Imaging System

NewTom VGi takes a complete 360 degree scan that captures an image at every degree while other manufacturers stop at 270 or 300 degrees leading to more scatter and artifacts in the scan. Taking more exposures results in more information and less hypothesizing about actual anatomy.

Focal Spot is a key factor in determining image resolution and quality of the X-ray image. As the focal spot decreases in size, resolution and the ability to detect detail improve. Ideally, the focal spot would have a diameter close to zero. Because of its Rotating Anode, NewTom VGi has one of the smallest focal spots available.

For even more precise measurements and treatment planning, the new HiRes Zoom feature produces 50% higher image resolution and a 50% reduced slice thickness.

The NewTom VGi also features cross-hair lasers and a mirror – powerful tools for exact horizontal and vertical positioning.



**Less Than 4 Seconds
of Total Exposure**

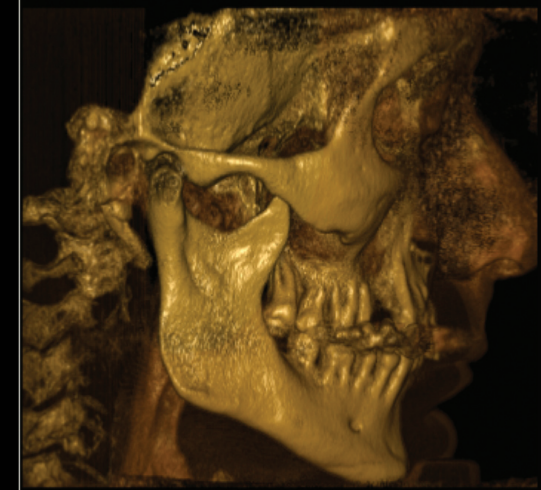
**Accurate Laser
Positioning Tools**

**Open-Environment
for Patient Comfort**

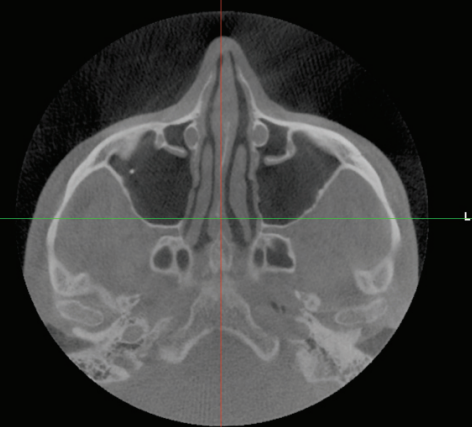
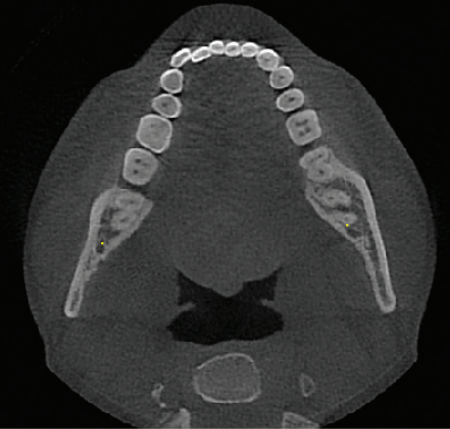
Large Reconstruction Volume

Adjustable FOV

Wheelchair Accessible



NewTom VGi



NewTom VGi Specifications

X-ray Source	High frequency, constant potential (DC), rotating anode: 110 kV; 1-20 mA (pulsed mode)		
Focal Spot	0.3 mm (IEC 60336)		
X-Ray Cone Beam	Proprietary SafeBeam™ control reduces radiation based on patient size.		
Effective Dose	100 µSv (ICRP 2007, estimate for adult)		
X-ray Emission Time	3.6s in standard mode		
Image Acquisition	360 Images - 360 degree rotation		
Image Detector	Amorphous silicon flat panel, 20 cm x 25 cm (Field of View)		
Signal Grey Scale	14-bit		
Voxel Size	Standard Mode	0.3 mm cubic isometric	
	Zoom Mode	0.24 mm	
	HiRes Zoom Mode	0.15 mm	
Scan Time	18s in standard resolution mode		
Patient Position	Standing or seated and wheelchair accessible		
Reconstruction Volume		Diameter	Height
	Standard Mode	15 cm (6")	15 cm (6")
	Zoom Mode	12 cm (5")	7.5 cm (3")
	HiRes Zoom Mode	12 cm (5")	7.5 cm (3")
Reconstruction Time	Approximately 1 minute		
Weight	Scanner unit: 600 lb (272 kg), Control box: 220 lb (100 kg)		
Software	NNT™ with free viewer and sharing application		
Power Required	10A @ 100/115V~, 5A @ 200/215/230/240V~, 50/60Hz		

Specifications subject to change without prior notice.



Manufactured in Italy by QR srl,
an AFP Imaging Company
www.afpimaging.com

AFP Imaging Corporation
250 Clearbrook Road
Elmsford, NY 10523 USA

+1 914.592.6100
+1 800.592.6666

QR srl
Via Silvestrini 20
Verona, Italy 37135

+39 045 8202727
+39 045 583500

New HiRes Zoom Feature

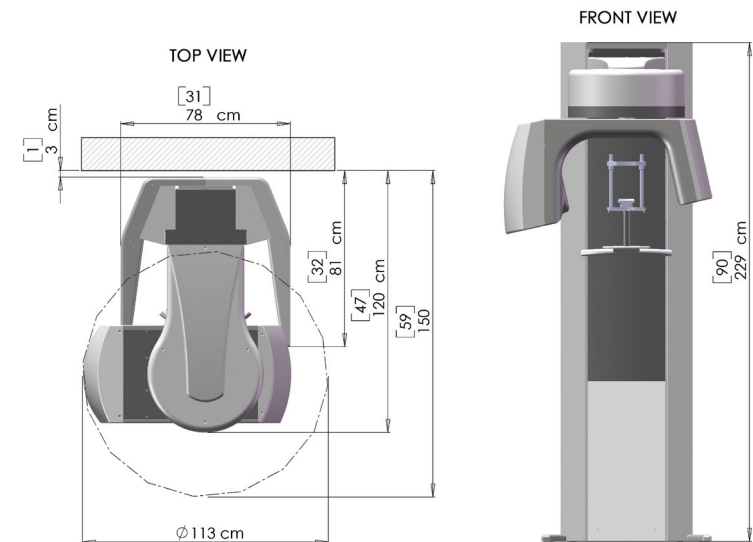
- 50% Higher Image Resolution
- 50% Smaller Slice Thickness

Free Viewer and Sharing Application

DICOM Conformant

Improved Software Integration

Small Footprint



SM-D129-03